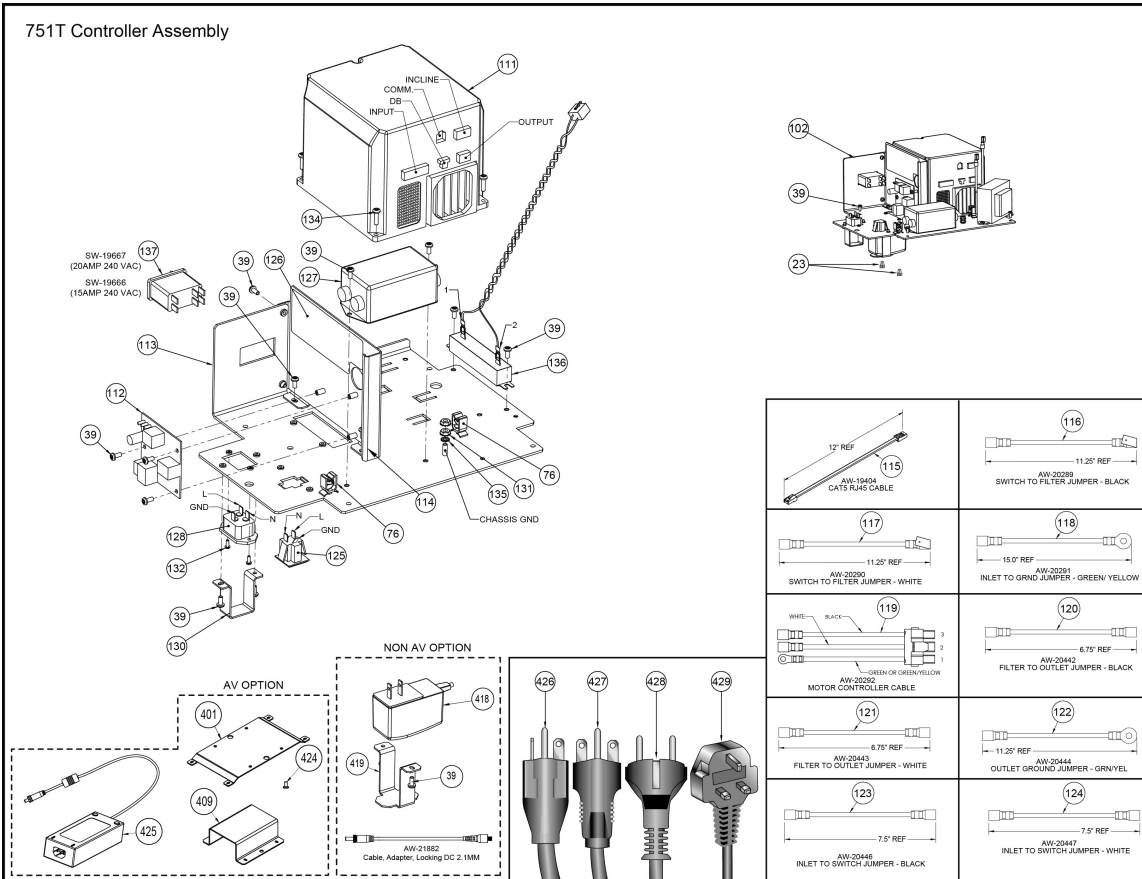


Part Diagrams

Product Line: Treadmills

Product: 751T: 750T



Bulb #	Part Number	Name	Description	Notes	Price
23	EH-10291	TY WRAP BASE			
39	HS-11977	SCREW SEMS, 8-32X.38, PNHD			
76	EH-20244	CLIP, WIRE RETAINER, .24-.47" DIA			
102	AX-20235	SUB ASSY, 110 VAC CONTROLLER			
102	AX-20236	SUB ASSY, 220 VAC CONTROLLER			
102	AX-20237	SUB ASSY, 230 VAC, 50HZ CONTROLLER			
111	KAD-23125	PCA, CONTROLLER, 115 VAC, GOLD PLATED TERM			
111	KAD-22222	PCA, CONTROLLER, 230 VAC, 50 HZ, GOLD PLATED TERM			
112	AD-21879	PCA, HUB BOARD			
113	AF-20123	PLATE, SWITCHES			
114	AF-20234	BRACKET, CONTROLLER, PCB			
115	AW-19404	CABLE, CAT5, RJ45 FLAT PATCH 1			

116	AW-20289	WIRE, INLET TO SWITCH FILTER JUMPER			
117	AW-20290	WIRE, SWITCH TO FILTER JUMPER			
118	AW-20291	WIRE, INLET TO GROUND JUMPER, GREEN			
119	AW-20292	CABLE,MOTOR CONTROLLER, GOLD PLATED			
120	AW-20442	WIRE, FILTER TO OUTLET JUMPER, BLACK			
121	AW-20443	WIRE, FILTER TO OUTLET JUMPER, WHITE			
122	AW-20444	WIRE, OUTLET, GROUND JUMPER, GREEN			
123	AW-20446	WIRE, INLET TO SWITCH JUMPER, BLACK			
124	AW-20447	WIRE, INLET TO SWITCH JUMPER, WHITE			
125	CN-20252	PLUG, NEMA 5-15R			
126	DE-20558	LABEL, HUB BOARD			
127	EC-18896	FILTER,16A			
128	EH-12208	INLET, IEC, 320 16-20 AMP			
130	FS-20232	BRACKET, POWER CORD RETAINER			
131	HN-11925	KEPS,10-32 HEX STL ZN			
132	HS-10405	SCREW, 4-40 X .25",PNHD PHIL			
134	HS-15732	SCREW, SEMS, 8-32 UNC X .62", PNHD, PHIL			
135	HW-10856	WASHER, LOCK, EXTERNAL, NO. 10			
136	RE-20242	RESISTOR, TM5, DYNAMIC BRAKE			
137	SW-19666	SWITCH,THERMAL CB,15AMP 240V,ROCK			
137	SW-19667	SWITCH,THERMAL CB,20AMP 240V,ROCK			
401	AF-20137	BRACKET, A/V POWER SUPPLY			
409	FS-20300	STRAP, A/V POWER SUPPLY			
418	TR-21881	POWER SUPPLY,12V FAN LOCKING DC			
419	FS-20233	BRACKET, FAN POWER SUPPLY RETAINER			
424	HS-11894	SCREW SEMS, 6-32 X .25, PNHD PHIL, INT			
425	TR-21265	POWER SUPPLY			
426	AW-20280	POWER CORD,115V,20A,60Hz,13FT			
427	AW-20281	POWER CORD,220V 15A,60HZ			
428	AW-20282	POWER CORD,230V,16A,50HZ			
429	AW-20283	POWER CORD,UK,230V,13A,50HZ			
NS	KMR-20818	Kit, Replacement Cooling Fan, LPCB Drive 750T			